

# PENNCO



## Cast Iron Boilers

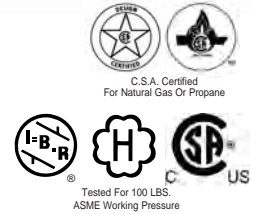
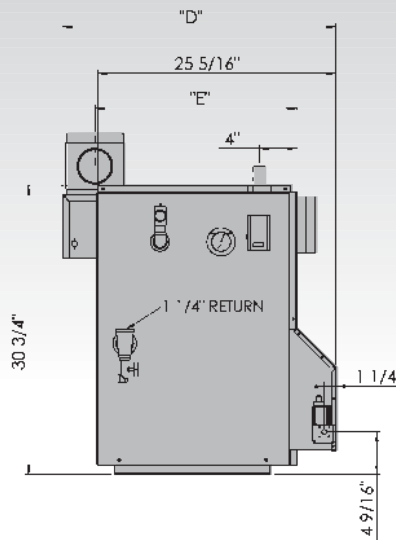
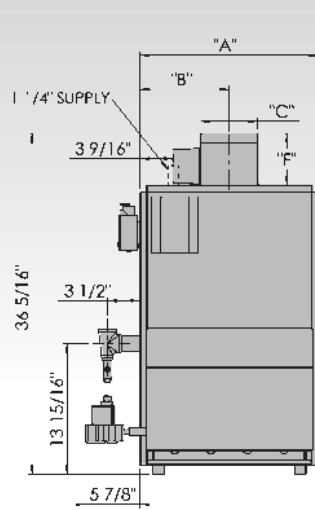
### 15B SERIES Gas Fired Water Boilers

The Pennco 15B Series Boiler has been designed with features making it the ideal home heating solution. With quality features such as an advanced heat exchanger design, greater BTU input per sectional size and optional electronic ignition, the 15B Series can achieve fuel efficiencies up to 82% AFUE.

#### SYSTEM FEATURES

- **Quality Heat Exchanger Design –** The 15B Series features a robust cast iron heat exchanger with a greater weight per section resulting in greater heat transfer capabilities and BTU inputs in each boiler size. The sections are connected with cast iron push nipples, which expand at the same rate as the sections ensuring a water tight seal. The 15B heat exchanger features provide homeowners with a long-life, high output boiler in the smallest space. Additional sizes are available and when utilized in a seven section configuration the 15B Series can reach nearly 300 MBH input.
- **High Efficiency –** The 15B Series provides annual fuel utilization efficiency up to 82% as certified by the US Department of Energy testing standards.
- **Hi-Limit Control –** The Honeywell hi-limit control has been separated from the circulator relay for ease of serviceability and to reduce potential service parts costs.
- **Operating Control –** Argo® Z99 control operates the circulator, damper and gas valve and incorporates “Ice Cube” relay technology for easy service should it ever be needed.
- **Easy Installation and Maintenance –** A compact design, low profile draft hood and top supply piping connections allow for easier installation. The pilot is mounted to the front of the burner and the pump relay has been moved to the front of the boiler for ease of serviceability and maintenance.





# 15B SERIES

## GAS-FIRED HOT-WATER BOILERS

Boiler Number	A.G.A. Input Btu/Hr. *	Heating Capacity Btu/Hr. *	I=B=R Net Output Btu/Hr. *†	Natural Gas Inlet §	Dimensions (Inches)						Pump Size Supply & Return Tappings	Number of Burners	AFUE Elec. Ign. & Damper	AFUE Std. Pilot & Damper
					A	B	C	D	E	F				
15045	45,000	37,000	32,000	1/2"	11.3	5.6	4.0	27.1	20.5	5.0	1 1/4"	1	82.0%	80.0%
15070	70,000	57,000	50,000	1/2"	15.1	7.6	5.0	28.1	21.0	5.0	1 1/4"	2	82.0%	80.0%
15096	96,000	79,000	69,000	1/2"	15.1	7.6	5.0	28.1	21.0	5.0	1 1/4"	2	82.0%	80.0%
15120	120,000	98,000	85,000	1/2"	19.0	9.5	6.0	29.1	21.5	5.5	1 1/4"	3	82.0%	80.0%
15145	145,000	119,000	103,000	1/2"	19.0	9.5	6.0	29.1	21.5	5.5	1 1/4"	3	82.0%	80.0%
15175	175,000	141,000	123,000	1/2"	22.9	11.4	7.0	30.1	22.0	6.0	1 1/4"	4	80.5%	80.0%
15195	195,000	157,000	137,000	1/2"	22.9	11.4	7.0	30.1	22.0	6.0	1 1/4"	4	80.5%	80.0%
15245	245,000	197,000	171,000	3/4"	26.8	13.4	8.0	31.1	22.5	7.0	1 1/4"	5	80.5%	80.0%
15295	295,000	237,000	206,000	3/4"	30.6	15.3	9.0	32.1	23.0	9.0	1 1/4"	6	80.5%	80.0%

\* For elevations above 2000 feet, ratings should be reduced at a rate of 4% for each 1000 feet above sea level.

† For equivalent square feet of radiation, divide I=B=R output by 150.

§ Propane gas Inlet, all units, 1/2"

### 15B SERIES STANDARD EQUIPMENT

- Boiler Jacket
- Cast-Iron Boiler Battery
- High Limit Control
- Vent Damper Relay
- Theraltimeter Gauge
- Circulator
- Main Gas Burners
- Combination 24-Volt Gas Control (includes Automatic Gas Valve, Gas Pressure Regulator, Automatic Pilot, Safety Shut Off, Pilot Flow Adjustment, Pilot Filter)
- A.S.M.E. Relief Valve
- Drain Cock
- Spill Switch
- Rollout Switch
- Automatic Vent Damper
- Wiring Harness
- Thermocouple
- Non-linting Safety Pilot

### OPTIONAL EQUIPMENT

- Intermittent Electric Ignition Pilot System
- Combustible Floor Kit
- Taco Circulator Pump. Note: Propane option available.

### EXPLANATION NOTES:

- All boilers are design-certified for installation on non-combustible floors.
- For installation on any combustibile floor, use combustibile floor kit.
- Recommended chimney height 20 feet. In special cases where conditions permit, chimney height may be reduced to 10 feet. Refer to the latest revision of National Fuel Gas Code.

- Electrical service to be 120 volts, 15 amps, 60Hz3.
- Net I=B=R ratings include 15% allowance for normal piping and pickup load. Manufacturer should be consulted on installations having other than normal piping and pickup requirements.
- Specifications and dimensions are subject to change without notice.

MEA# 39-86E Vol VIII



2201 Dwyer Ave., Utica, NY 13501 • Phone: 315-797-1310 • Fax: 866-432-7329  
E-mail: info@ecrinternational.com • Web: www.pennco boilers.com

An ECR International Brand  
An ISO 9001-2000 Certified Company

USA Contractor Assistance: 800-325-5479