



# 15B Series

燃氣熱水鍋爐



**Pennco 15B Series** 鍋爐是一款經濟實惠的家用燃氣采暖設備，配置低水位保護裝置。

#### 優質熱交換器設計 -

15B Series 配有可靠的鑄鐵熱交換器和鑄鐵壓入式接頭。加熱時，切口和壓入式接頭以相同的速率膨脹。透過使用類似的材料而不是廉價的墊圈或鋼製接頭，鍋爐保持優良的水密封。

#### 效率 -

經美國能源部認證，15B Series 的年度燃料利用效率高達 82%。

#### 易於安裝和維護 -

15B Series 具有一體式引風罩和通風阻尼器。其小巧緊湊的設計使其成為狹窄空間安裝的理想選擇。

#### 操作控制 -

- 採用數位顯示和診斷功能的 Honeywell 控制系統可監控水溫並延遲鍋爐啟動，直至鍋爐中的剩餘熱能消耗完畢。
- 內置低水位保護裝置 (LWCO)，可保護鍋爐免於遭受潛在的低水位時鍋爐運行的危險。

#### 包換 -

20 年有限制條件的熱交換器包換，壹年有限制條件的元器件包換。

**Pennco SILVER** 讓生活變得簡單舒適、經濟實惠。

# 15B Series

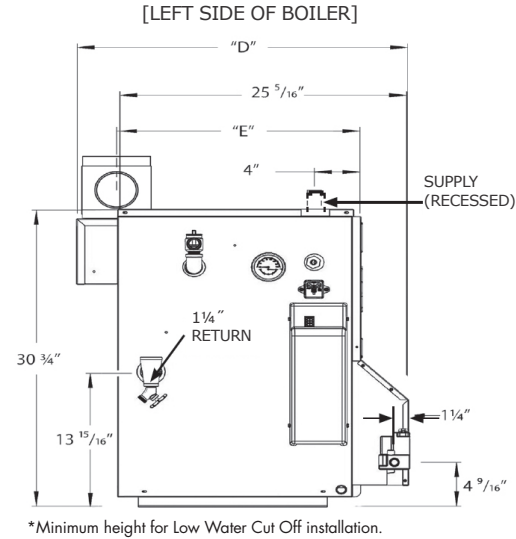
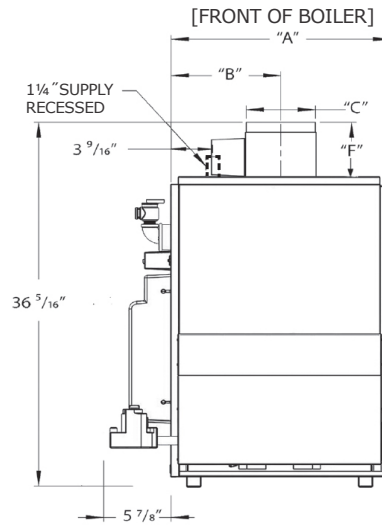
燃氣熱水鍋爐

## Standard Equipment:

- Boiler Jacket
- Cast-Iron Boiler Battery
- High Limit Control
- Intermittent Electronic Ignition Pilot System
- Vent Damper Relay
- Circulator
- Main Gas Burners
- A.S.M.E. Relief Valve
- Drain Valve
- Spill Switch
- Rollout Switch
- Automatic Vent Damper
- Wiring Harness
- Non-Linting Safety Pilot
- Combination Gas Control Includes:
  - Automatic Gas Valve
  - Gas Pressure Regulator
  - Intermittent Pilot
  - Safety Shut Off
  - Pilot Flow Adjustment
  - Pilot Filter

## Optional:

- Propane Option Available
- Central Heating Pump (Taco or Grundfos)

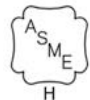


\*Minimum height for Low Water Cut Off installation.

## Specifications:

Model	Input Mbh (1)	Heating Capacity Mbh(l)	Net AHRI Rating Water Mbh (2)**	Natural Gas Inlet	Dimensions (Inches)						Pump Size Supply & Return Toppings	Number of Burners	AFUE Elec. Ign. & Damper
					A	B	C	D	E	F			
158045FE	45	37	32	1/2"	11 1/4	5 5/8	4	27 1/8	20 7/16	4 15/16	1 1/4"	1	82.0%
158070FE	70	57	50	1/2"	15 1/8	7	5	28 1/8	20 15/16	4 15/16	1 1/4"	2	82.0%
158096FE	96	79	69	1/2"	15 1/8	7	5	28 1/8	20 15/16	4 15/16	1 1/4"	2	82.0%
158120FE	120	98	85	1/2"	19	9 1/2	6	29 1/8	21 7/16	5 7/16	1 1/4"	3	82.0%
158145FE	145	119	103	1/2"	19	9 1/2	6	29 1/8	21 7/16	5 7/16	1 1/4"	3	82.0%
158170FE	170	140	122	1/2"	22 7/8	11 3/16	7	30 1/8	21 15/16	5 15/16	1 1/4"	4	82.0%
158195FE	195	160	139	1/2"	22 7/8	11 3/16	7	30 1/8	21 15/16	5 15/16	1 1/4"	4	82.0%
158245FE	245	201	174	3/4"	26 3/4	13 6/16	8	31 1/8	22 7/16	6 15/16	1 1/4"	5	82.0%
158295FE	295	242	210	3/4"	30 5/8	15 5/16	9	32 1/8	22 15/16	8 15/16	1 1/4"	6	82.0%

- All boilers are design certified for installation on noncombustible floor.
  - Recommended chimney height 20 feet. In special cases where conditions pennit, chimney height may be reduced to 10 feet. Refer to the latest revision of NFGC port 11.
  - Electric service to be 120 Volts, 15 Amps, 60 Hz.
  - The MEA number for the this boiler is 19-79-E.
- 1) Input rating for sea level to 2,000 ft. (610m) above sea level. United States, over 2000 ft (610m) above sea level. Reduce input rate 4% for every 1,000 ft (304m) above sea level.
  - 2) Net AHRI Water Ratings shown hosed on piping and pickup allowance of 1.15. Consult manufacturer before selecting boiler for installations having unusual piping and pickup requirements, such as intermittent system operation, extensive piping systems, etc. For forced hot water systems where boiler and all piping within area to be heated, boiler may be selected on basis of its heating capacity.
  - 3) Tonk sized for non-ferrous baseboard or radiant panel systems. Increase size for cast iron baseboard and radiation.



ECR International Inc. 2201 Dwyer Avenue, Utica, NY 13501  
Tel. 800 253 7900  
[www.ecrinternational.com](http://www.ecrinternational.com)

All specifications subject to change without notice.  
©2018 ECR International, Inc.  
PN 240009574N\_MN Rev. 1Q/18