



# 15B Series

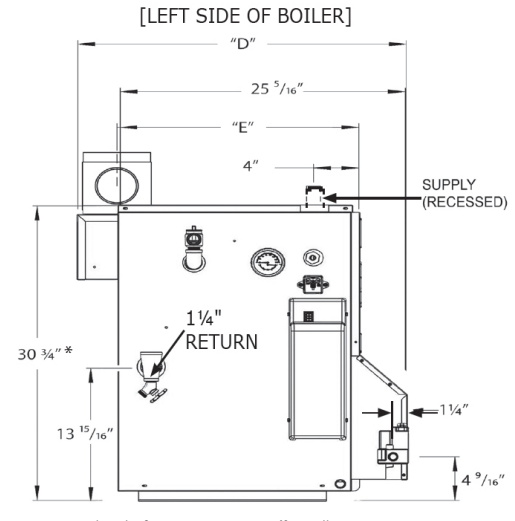
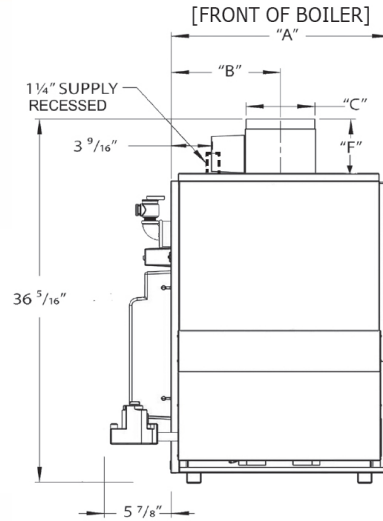
## Gas-Fired Hot Water Boiler

### Standard Equipment:

- Boiler Jacket
- Cast-Iron Boiler Battery
- High Limit Control
- Intermittent Electronic Ignition Pilot System
- Vent Damper Relay
- Circulator
- Main Gas Burners
- A.S.M.E. Relief Valve
- Drain Valve
- Spill Switch
- Rollout Switch
- Automatic Vent Damper
- Wiring Harness
- Non-Linting Safety Pilot
- Combination Gas Control Includes:
  - Automatic Gas Valve
  - Gas Pressure Regulator
  - Intermittent Pilot
  - Safety Shut Off
  - Pilot Flow Adjustment
  - Pilot Filter

### Optional:

- Propane Option Available
- Central Heating Pump (Taco or Grundfos)



\*Minimum height for Low Water Cut Off installation.

### Specifications:

| Model    | Input Mbh (1) | Heating Capacity Mbh (1) | Net AHRI Rating Water Mbh (2)** | Natural Gas Inlet | Dimensions (Inches) |         |   |        |          |         | Pump Size Supply & Return Tappings | Number of Burners | AFUE Elec. Ign. & Damper |
|----------|---------------|--------------------------|---------------------------------|-------------------|---------------------|---------|---|--------|----------|---------|------------------------------------|-------------------|--------------------------|
|          |               |                          |                                 |                   | A                   | B       | C | D      | E        | F       |                                    |                   |                          |
| 15B045FE | 45            | 37                       | 32                              | 1/2"              | 11 1/4              | 5 5/8   | 4 | 27 1/8 | 20 7/16  | 4 15/16 | 1 1/4"                             | 1                 | 82.0%                    |
| 15B070FE | 70            | 57                       | 50                              | 1/2"              | 15 1/8              | 7       | 5 | 28 1/8 | 20 15/16 | 4 15/16 | 1 1/4"                             | 2                 | 82.0%                    |
| 15B096FE | 96            | 79                       | 69                              | 1/2"              | 15 1/8              | 7       | 5 | 28 1/8 | 20 15/16 | 4 15/16 | 1 1/4"                             | 2                 | 82.0%                    |
| 15B120FE | 120           | 98                       | 85                              | 1/2"              | 19                  | 9 1/2   | 6 | 29 1/8 | 21 7/16  | 5 7/16  | 1 1/4"                             | 3                 | 82.0%                    |
| 15B145FE | 145           | 119                      | 103                             | 1/2"              | 19                  | 9 1/2   | 6 | 29 1/8 | 21 7/16  | 5 7/16  | 1 1/4"                             | 3                 | 82.0%                    |
| 15B170FE | 170           | 140                      | 122                             | 1/2"              | 22 7/8              | 11 3/16 | 7 | 30 1/8 | 21 15/16 | 5 15/16 | 1 1/4"                             | 4                 | 82.0%                    |
| 15B195FE | 195           | 160                      | 139                             | 1/2"              | 22 7/8              | 11 3/16 | 7 | 30 1/8 | 21 15/16 | 5 15/16 | 1 1/4"                             | 4                 | 82.0%                    |
| 15B245FE | 245           | 201                      | 174                             | 3/4"              | 26 3/4              | 13 6/16 | 8 | 31 1/8 | 22 7/16  | 6 15/16 | 1 1/4"                             | 5                 | 82.0%                    |
| 15B295FE | 295           | 242                      | 210                             | 3/4"              | 30 5/8              | 15 5/16 | 9 | 32 1/8 | 22 15/16 | 8 15/16 | 1 1/4"                             | 6                 | 82.0%                    |

- All boilers are design certified for installation on noncombustible floor.
  - Recommended chimney height 20 feet. In special cases where conditions permit, chimney height may be reduced to 10 feet. Refer to the latest revision of NFGC part 11.
  - Electric service to be 120 Volts, 15 Amps, 60 Hz.
  - The MEA number for this boiler is 19-79-E.
- 1) Input rating for sea level to 2,000 ft. (610m) above sea level. United States, over 2000 ft (610m) above sea level. Reduce input rate 4% for every 1,000 ft (304m) above sea level.
  - 2) Net AHRI Water Ratings shown based on piping and pickup allowance of 1.15. Consult manufacturer before selecting boiler for installations having unusual piping and pickup requirements, such as intermittent system operation, extensive piping systems, etc. For forced hot water systems where boiler and all piping within area to be heated, boiler may be selected on basis of its heating capacity.
  - 3) Tank sized for non-ferrous baseboard or radiant panel systems. Increase size for cast iron baseboard and radiation.



2201 Dwyer Avenue, Utica, New York 13501  
 Phone: 315-797-1310 • Fax: 866-432-7329  
 E-mail: info@ecrinternational.com  
 Web: www.pennco boilers.com

**USA Contractor Assistance:**  
**800-325-5479**