



41K Series
Cast Iron Commercial
Steam Boiler

**PARTS, KITS AND OPTIONAL
ACCESSORIES**

Ordering Instructions

Order Parts through your nearest supplier.

When ordering parts, obtain Model Number and Serial Number from data plate on your boiler.

Include following information when ordering.

Part Number _____

Part Description _____

Boiler Model Number _____

Boiler Serial Number _____



Manufactured by:
ECR International Inc.
2201 Dwyer Avenue, Utica, NY 13501
Tel. 800 325 5479
www.ecrinternational.com
PN 240010352 REV. G [12/05/2023]

COMPLETE BOILER MATERIAL LIST

COMPLETE BOILER MATERIAL LIST

Model	MODEL			*COMPONENT CART.			** STEAM TRIM CARTON	** STEAM TRIM CARTON LESS LOW WATER CUTOFF	*** ACCESSORY CARTON	**** JACKET END PANEL CARTON	***** BASE END PANEL CARTON
	LEFT 41154051	INNER 41154052	RIGHT 41154050	300	400	500					
				KIT # 550002861	KIT # 550002862	KIT # 550002863					
300	1	2	1	-	-	-	(SA-1) 41200061	41200066	1	1	1
400	1	3	1	1	-	-	(SA-2) 41200062	41200067	1	1	1
500	1	4	1	-	-	1	(SA-3) 41200063	41200068	1	1	1
600	1	5	1	2	-	-	(SA-4) 41200064		1	1	1
700	1	6	1	1	1	-			1	1	1
800	1	7	1	-	2	-			1	1	1
900	1	8	1	-	1	1			1	1	1
1000	1	9	1	-	-	2			1	1	1
1100	1	10	1	1	2	-			1	1	1
1200	1	11	1	-	3	-			1	1	1
1300	1	12	1	1	-	2			1	1	1
1400	1	13	1	-	1	2			1	1	1
1500	1	14	1	-	-	3			1	1	1

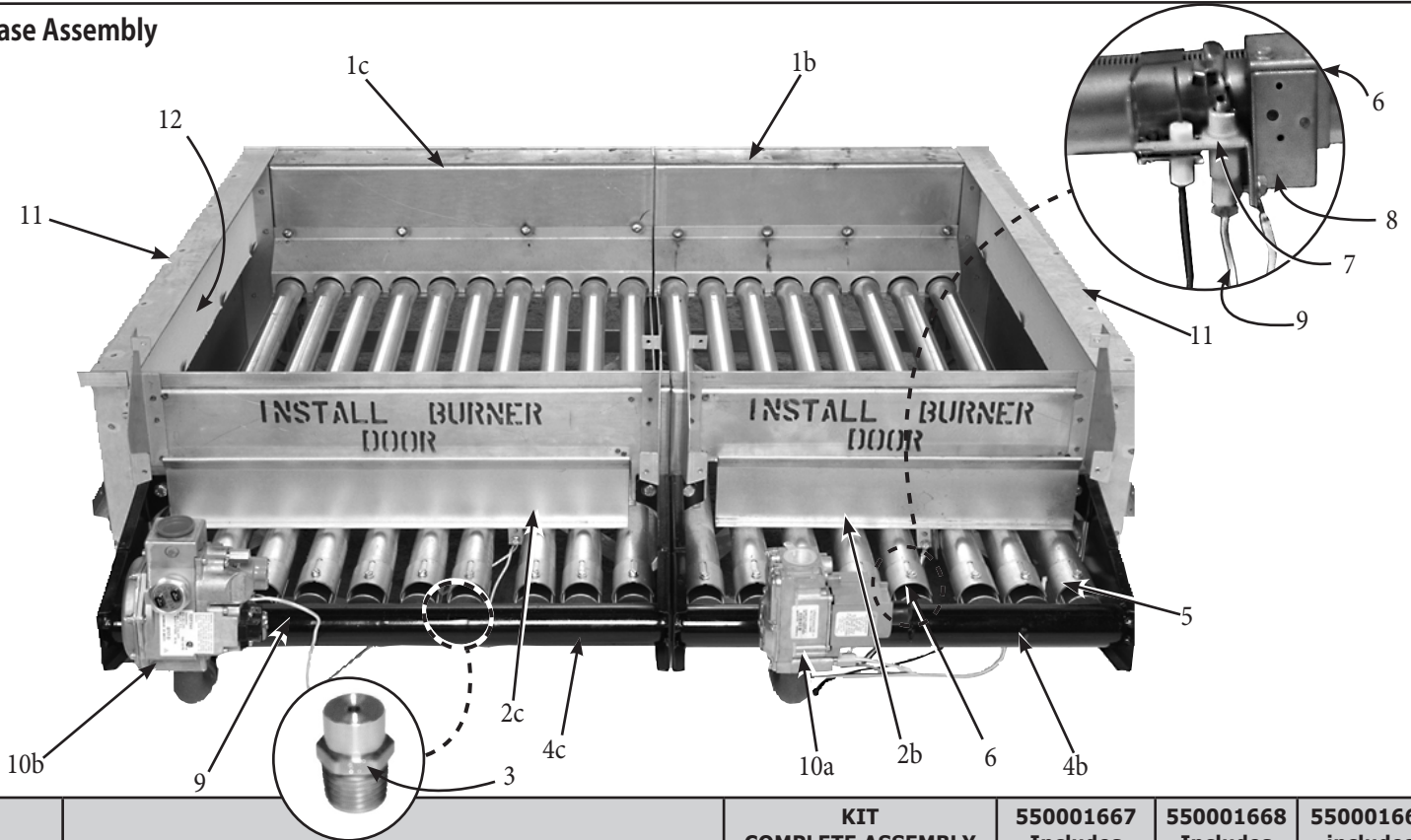
* SEE PAGE 8 - COMPONENT CARTON PARTS LIST
 ** SEE PAGE 7 - STEAM CARTON PARTS LIST
 *** SEE PAGE 3 - ACCESSORY CARTON PARTS LIST
 **** SEE PAGE 8 - JACKET END PANEL CARTON PARTS LIST
 ***** SEE PAGE 4 - BASE PANEL CARTON PARTS LIST

ACCESSORY CARTON

ACCESSORY CARTON														
PARTS DESCRIPTION	PART NO.	BOILER MODEL NUMBERS AND QUANTITIES												
		300	400	500	600	700	800	900	1000	1100	1200	1300	1400	1500
COMPLETE ACCY CRTN #		550002877	550002878	550002867	550002879	550002880	550002881	550002882	550002868	550002883	550002884	550002885	550002886	550002869
4" Push Nipples	43300977	6	8	10	12	14	16	18	20	22	24	26	28	30
5/8" - 11NC x 7 Stud	14695304	6	8	10	12	14	16	18	20	22	24	26	28	30
5/8" - 11NC Hex Nut	1330005	12	16	20	24	28	32	36	40	44	48	52	56	60
5/8" Flat Washer	14695306	12	16	20	24	28	32	36	40	44	48	52	56	60
Non-Asbestos Furnace Cement - Pint	1440001	2	2	2	2	2	2	2	2	2	2	2	2	2
3/4" Drain Valve	240009323	1	1	1	1	1	1	1	1	1	1	1	1	1
Nipple Paste - 4oz.	14691302	1	1	1	1	1	1	1	1	1	1	1	1	1
1" Sq. Head Plugs	1395004	4	4	4	4	4	4	4	4	4	4	4	4	4
Junction Box Assembly 1-3 Base	550002870	1	1	1	1	1	1	1	1	1	1	1	1	1
Hercules Grrip 1/4 Pint	14691302	1	1	1	1	1	1	1	2	2	2	2	2	2

BASE MATERIAL LIST

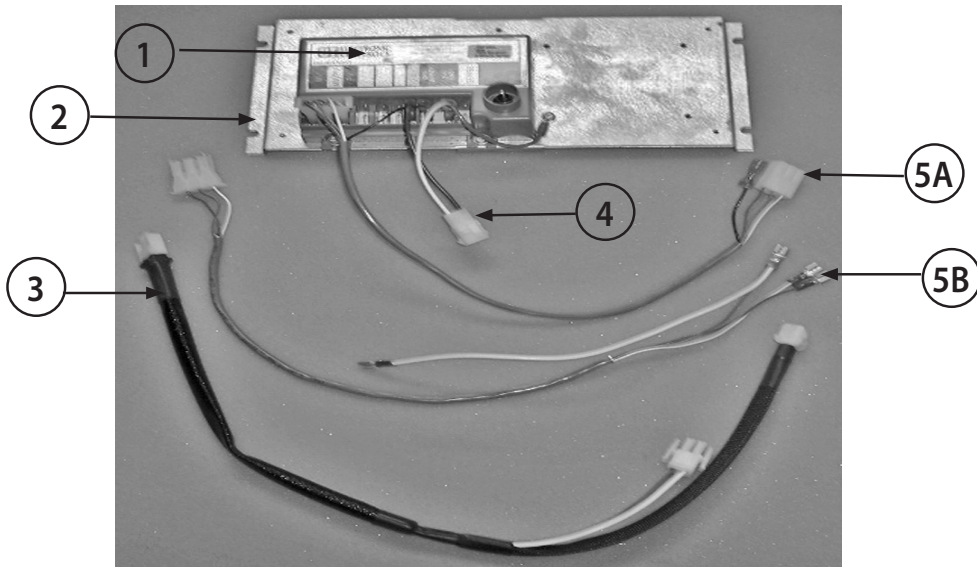
Base Assembly



No.	PARTS DESCRIPTION	KIT COMPLETE ASSEMBLY	550001667 Includes	550001668 Includes	550001669 includes
		MODEL	300	400	500
		PART NO.	QTY.	QTY.	QTY.
1a	300 Base (Not Shown)	109009240	1	-	-
1b	400 Base	109009241	-	1	-
1c	500 Base	109009242	-	-	1
2a	300 Fire Door (Not Shown)	42557133	1	-	-
2b	400 Fire Door	42557134	-	1	-
2c	500 Fire Door	42557135	-	-	1
3	Orifice #30 (In Manifold)	14615310	6	8	10
4a	300 Manifold (Not Shown)	240006633	1	-	-
4b	400 Manifold	240006634	-	1	-
4c	500 Manifold	240006635	-	-	1
5	Main Burner	14615302	5	7	9
6	Main Burner with Pilot Bracket	14615301	1	1	1
7	Pilot with Ignition Wire	14662099	1	1	1
8	Pilot Mounting Bracket	42557029	1	1	1
9	Pilot Tubing	14615005	1	1	1
10a	VR8304M Gas Valve (300 & 400 Base)	14662315	1	1	-
10b	7000 DERHC Gas Valve (500 Base)	14663001	-	-	1
11	Base End Panels (Left & Right) - Not available individually	42557119		1	
12	Base Side Insulation, Right & Left	13702230		4	
13	Front Base Insulation- 1x3x12.25" (not shown)	420001043	1		
14	Front Base Insulation- 1x3x16.50" (not shown)	420001044		1	
15	Front Base Insulation- 1x3x20.75" (not shown)	420001045			1

MATERIAL LISTS

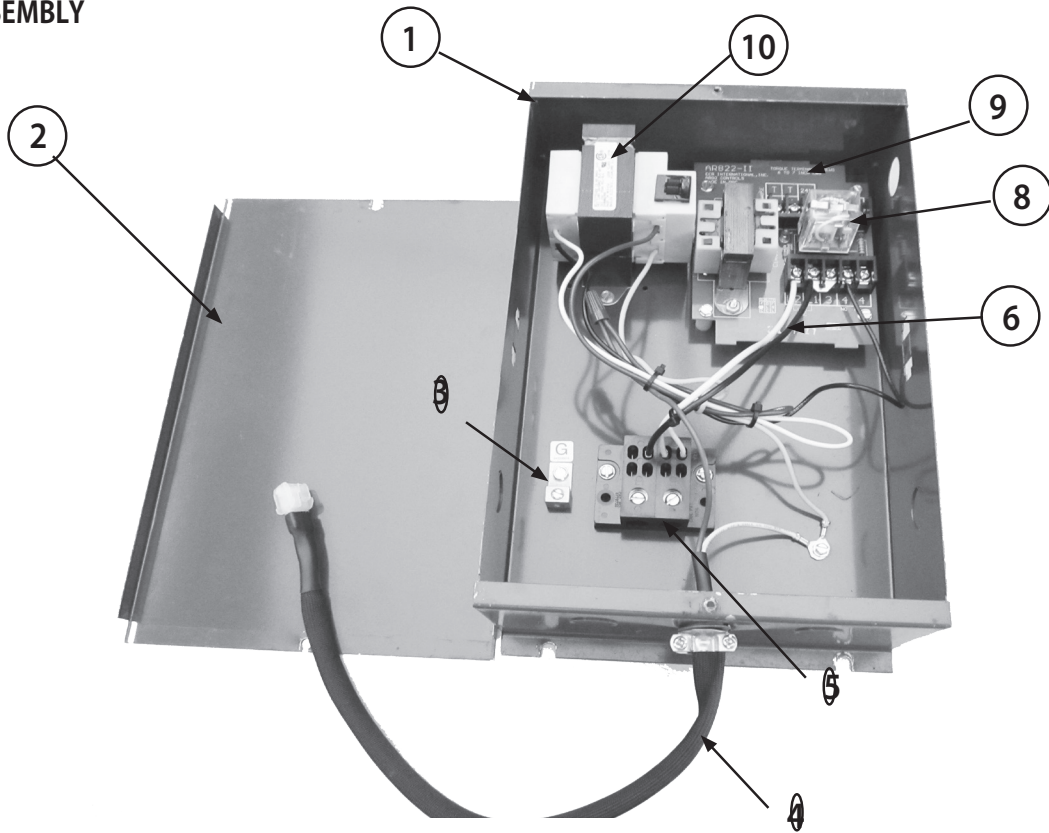
Control Assembly



CONTROL ASSEMBLY				
		Control Panel Assembly 300 & 400 Base	Control Panel Assembly 500 Base	
COMPLETE CONTROL PANEL ASSEMBLY		5500001801	550001802	
NO.	PARTS DESCRIPTION	PART NO.	PART NO.	QUANTITY
1	Intermittent Pilot Module	14662070	14662070	1
2	Control Mounting Panel	109006832	109006832	1
3	Base Power Harness	240006732	240006732	1
4	Spark Control Harness	240006625	240006625	1
5A	Harness Gas Valve	240006624		1
5B	Harness Gas Valve		240006841	1

MATERIAL LISTS

JUNCTION BOX ASSEMBLY

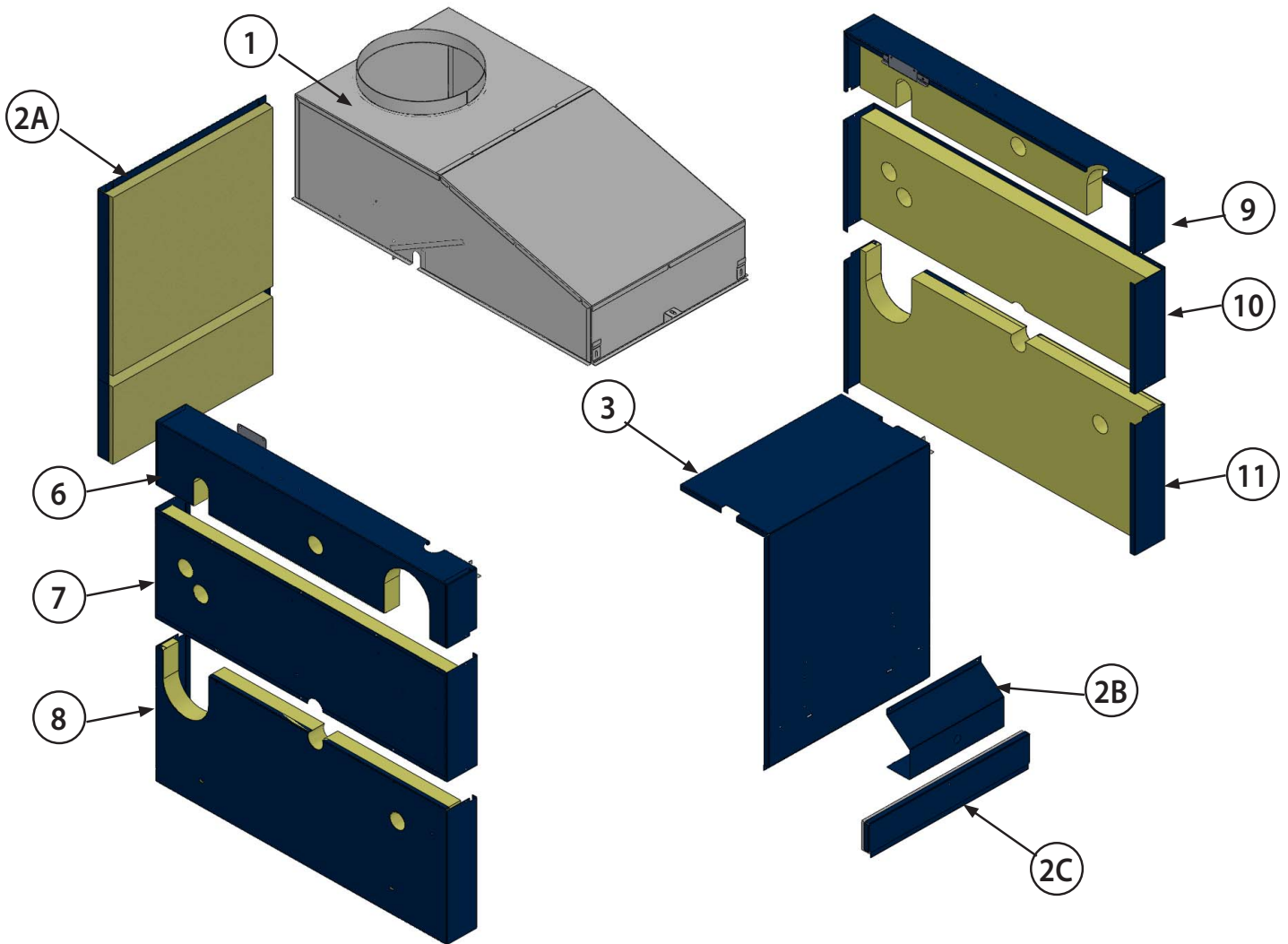


JUNCTION BOX ASSEMBLY			
COMPLETE JUNCTION BOX ASSEMBLY 1-3 BASE - 550002870			MODELS 300-1500
			QTY.
1	Junction Box	109006843	1
2	Box Cover	109006844	1
3	Ground Lug	212000015	1
4	Harness, Main Burner	240010345	1
5	Terminal Block	212000014	1
6	Harness, Relay Power	240006697	1
7	Harness, Transformer	240006698	-
8	AR822II Control Board	240006685	1
9	Relay on AR822II	R35C	1
10	Transformer 75VA	240006995	1

MATERIAL LISTS

STEAM TRIM CARTON						
PARTS DESCRIPTION	PART NO.	UNIT	QUANTITY PER CARTON			
			SA-1 41200061	SA-2 41200062	SA-3 41200063	SA-4 41200064
67D-1 McDonnell & Miller LWCO	14626042	Ea.	1	1	1	1
PA404A Pressuretrol	14662015	Ea.	1	1	1	1
Gauge-water level 22-182-10 8-1/16" Tube	GA-004.00	Ea.	1	1	1	1
2-1/2" Round Steam Gage	14623006	Ea.	1	1	1	1
3/4" x 3/4" Safety Valve	1570001	Ea.	1	-	-	-
1" x 1" Safety Valve	1570002	Ea.	-	1	-	-
1-1/4" x 1-1/2" Safety Valve	1570003	Ea.	-	-	1	-
1-1/2" x 2" Safety Valve	1570004	Ea.	-	-	-	1
1/4" Brass Syphon Loop	14643005	Ea.	1	1	1	1
1/4" Brass Tee	14693057	Ea.	1	1	1	1
1/4" x 2" Brass TBE Nipple	14607054	Ea.	1	1	1	1

MATERIAL LISTS



COMPONENT CARTON MATERIAL LIST				
ITEM	PARTS DESCRIPTION	Model 300 550002861	Model 400 550002862	Model 500 550002863
1	Draft Hood	42557113	42557114	42557115
2	Intermediate Jacket Carton	550002872	550002873	550002874
2A	Rear Panel	109009235	109009236	109009237
2B	Control Panel Access Door	109009211		
2C	Lower Access Door	109006759AC	109006760AC	109006761AC
3	Top Front Panel Assembly	109009216	109009217	109009210
4	Base Assembly (see pg 3)	550002864	550002865	550002866
5	Control Panel Assembly (not shown)	550001801	550001801	550001802
JACKET END PANEL CARTON (550002871) MATERIAL LIST				
6	Panel End Left Upper	109009220		
7	Panel End Left Middle	109009222		
8	Panel End Left Lower	109009224		
9	Panel End Right Upper	109009221		
10	Panel End Right Middle	109009223		
11	Panel End Right Lower	109009225		

MATERIAL LISTS

FITTING BAGS MATERIAL LIST				
PARTS DESCRIPTION	PART NO.	FB-1 41200051	FB-2 41200052	FB-3 41200053
#10 x 1/2" Self Tap Screws	14695074	60	70	80
#8 x 3/4" Self Tap Screws	14695003	2	2	2
5/16" - 18NC 3/4" Hex Head Bolts	1040001	8	12	16
5/16" - 18NC Hex Nuts	1330007	8	12	16
1/4" - 20NC x 1.1/2" J Bolts	14695303	1	2	3
1/4" - 20NC Hex Bolts	HW-003.02	1	2	3
Jacket Door Knobs	13702153	1	2	3
Knob Screws	14695004	1	2	3

ALTERNATE COMPONENT LIST		
NO.	PARTS DESCRIPTION	PART NO.
1	Steam Manual Reset Pressure Control (L404C-1147)	14662311
2	LWCO and Feeder #47-2 (Models 300-1500)	1280001
3	Water High Limit Control with Manual Reset - (L4006E-1109 and well)	43300520
4	Strap-on Operating Control (L6006C-1034)	14662313
5	LWCO with Manual Reset (PS852M-24) - to eliminate the 67D LWCO	14626305



ECR international

2201 Dwyer Avenue, Utica, NY 13501

Tel. 800 325 5479

www.ecrinternational.com

All specifications subject to change without notice.

©2023 ECR International, Inc.