

# **PENNCO**

# SILVER

## CAST IRON BOILERS

## **SBO Series**

Oil-Fired Steam Boilers



The SBO Steam boiler features a dependable cast iron heat exchanger with robust steel push nipples to maintain a watertight seal. Provides maximum heat transfer and is stronger than the rubber gaskets found in other boilers.

The Flue Connection is Convertible (Rear/Top) - makes this boiler much easier to adapt to an existing chimney. Steam trim is shipped loose allowing the installer optional locations for the condensate return piping, pressure relief valve and boiler drain.

The SBO is available in four sizes from 119 MBH to 210 MBH with up to 85.6% AFUE Efficiency, and comes with a 10 year limited heat exchanger warranty.

## **PRODUCT FEATURES**

### **Swing Door:**

- Features a generously sized swing door for easy access during cleaning
- Burner observation cover plate

### **Operating control:**

- Honeywell Steam Pressure Control
- Hydrolevel Electronic Low Water Cut-off (LWCO)
- Factory Installed Service Switch with a plug in receptacle for the Oil Burner

### **Burner in a Box:**

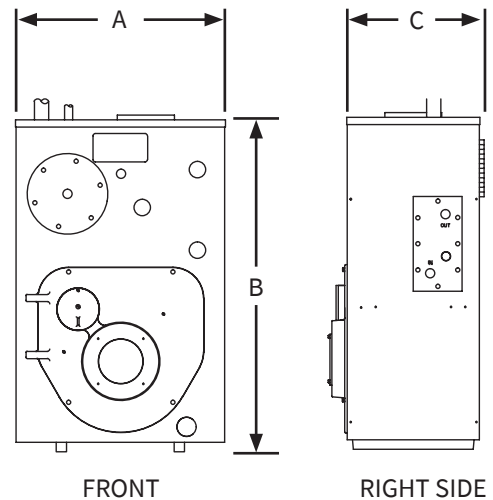
- Beckett Burner in a box kit (sold separately) is quick and easy to mount and has a plug-in harness. Makes moving the boiler down a stairway easier.
- Optional Tankless Domestic Hot Water Coil Kits



**Simple, Comfortable, Affordable.**

[www.pennco boilers.com](http://www.pennco boilers.com)  
PN 240013311 [05/29/24]

CONNECTIONS	
Supply Tapping	2" NPT
Return Tapping	1 1/4" NPT
Oil Line	3/8" O.D. Copper Tubing for runs 50' or less 1/2" O.D. Copper Tubing for runs over 50'
ELECTRICAL	
120 V ac, 60 hertz, 1 phase, less than 12 amps (15 amp circuit recommended)	
STANDARD EQUIPMENT	
Crated boiler, flush jacket, target wall/liner, safety valve, steam water level gauge, steam pressure gauge, steam pressure control, low water cut-off, drain valve, wiring harness, burner electric disconnect, skim port. Factory packaged with top flue outlet, field convertible to rear flue outlet.	
OPTIONS	
Tankless Coil Kits Beckett AFT Burner in a Box Kit Beckett Burner Rerate Kits	



AHRI CERTIFIED RATINGS							DIMENSIONS						
MODEL	Firing Rate GPH	Input MBH <sup>(1)</sup>	Heating Capacity MBH <sup>(1)(3)</sup>	Net Steam MBH <sup>(2)</sup>	Net Steam SQ. FT.	Efficiency AFUE% <sup>(3)</sup>	Chimney Size <sup>(4)</sup>	Water Content GAL.	- A - Width	- B - Height	- C - Depth	Weight Lbs.	Coil Rating GPM
SBO-3085	0.85	119	104	78	325	85.6	8" x 8" x 15'	12.00	22 1/8"	35"	15 3/4"	570	2.4
SBO-3105	1.05	147	127	95	396	85.0	8" x 8" x 15'	12.00	22 1/8"	35"	15 3/4"	570	3.0
SBO-4125	1.25	175	152	114	475	85.6	8" x 8" x 15'	14.87	22 1/8"	35"	19 3/4"	685	3.6
SBO-4150	1.50	210	180	135	563	85.0	8" x 8" x 15'	14.87	22 1/8"	35"	19 3/4"	685	4.3

(1) Oil burner input based on 140,000 Btu/gal.  
 (2) Net AHRI Steam Ratings shown are based on a piping and pickup allowance of 1.33. Consult manufacturer before selecting boiler for installations having unusual piping and pickup requirements, such as intermittent system operation, extensive piping.  
 (3) Heating Capacity and AFUE based on U.S. Department of Energy test procedure.

