



Technical Bulletin

BULLETIN NO. P-8.25.2011

DATE: August 25, 2011

TO: All PENNCO Customers

FROM: ECR International, Inc. Technical Service Department

TITLE: 15B Heat Exchanger Revision



MODELS AFFECTED

| | | | |
|---------------------|--------------|---------------------|------------------------------------|
| 15B 45 - 295 | Nat & LP Gas | Spark and Std Pilot | Effective Date: September, 2011 |
|---------------------|--------------|---------------------|------------------------------------|

SITUATION:

The current heat exchanger used on the 15B series PENNCO boiler has been replaced with a new style casting of advanced design.

The flowing changes to the 15B series have been incorporated into all new equipment effective manufacturing date September, 2011. The model description of the 15B series in the future will be as described an example 15B-096FEN... AP (spark) or 15B-096FVN...AP (standing pilot)

If you should have any questions at all on these changes to the product or on a replacement block assembly, please feel free to contact the ECR Technical Service Department at 1.800.325.5479 Extension # 7022.



15B Heat Exchanger Revision
BULLETIN NO. P- 8.25.2011

Incorporated changes to the **15B** series includes the following:

| Input (Mbh) | 45 | 70 | 96 | 120 | 145 | 175 | 195 | 245 | 295 |
|--|----------|----|----|----------|-----|----------|-----|----------|----------|
| Sections | 3 | | | 4 | | 5 | | 6 | 7 |
| Label | | | ✓ | ✓ | ✓ | ✓ | ✓ | ✓ | ✓ |
| Replace Flue Collector | | | ✓ | | | | | | ✓ |
| Replace Base & Rollout Switch Bracket | | | | ✓ | ✓ | | | | |
| Replace Rollout Switch Bracket On Base Panel | | | | | | ✓ | ✓ | ✓ | ✓ |
| Draft Hood w/ New Blocked Vent Safety Switch Bracket | | | | ✓ | ✓ | ✓ | ✓ | | |
| Replace Burner Door, Lower Access Panel Door, & Spark Pilot Shield | | | | ✓ | ✓ | ✓ | ✓ | ✓ | ✓ |

Figure 1 - Replacement Burner Door with Tabs

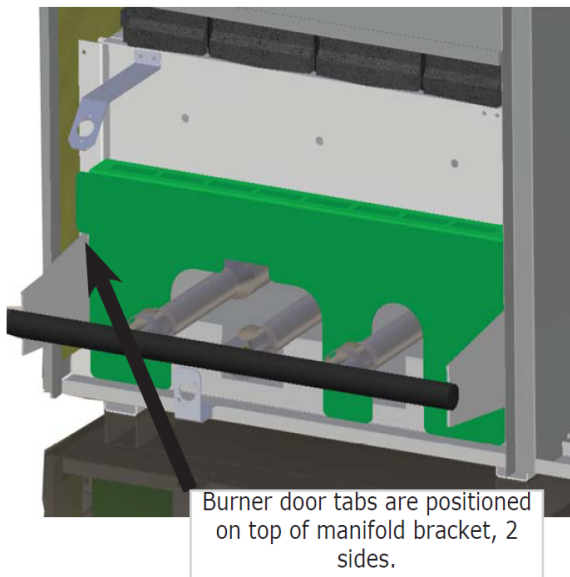
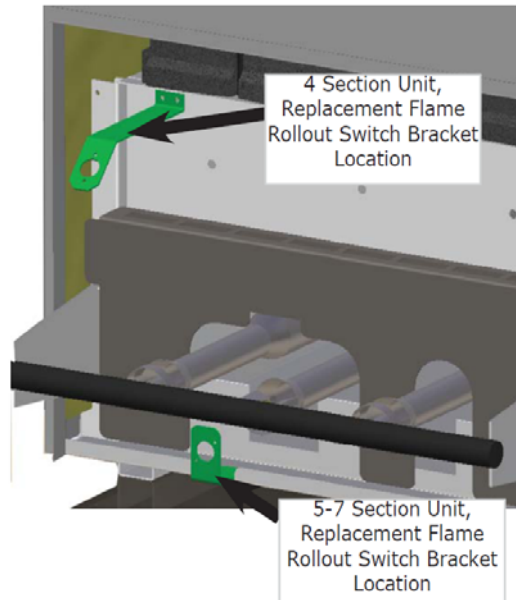


Figure 2 - Replacement Flame Rollout Switch Bracket





15B Heat Exchanger Revision
BULLETIN NO. P- 8.25.2011

Figure 3 - Pilot Shield Bracket

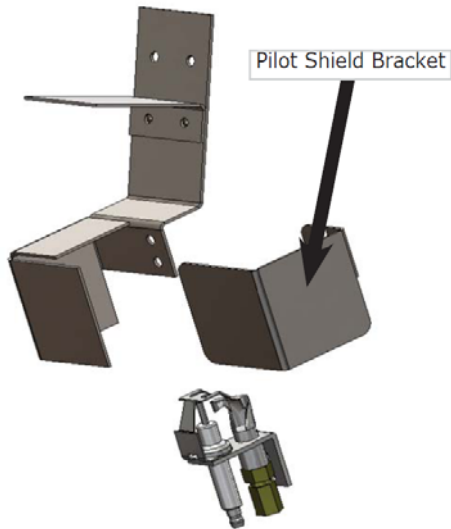


Figure 4 - Pilot Shield Location

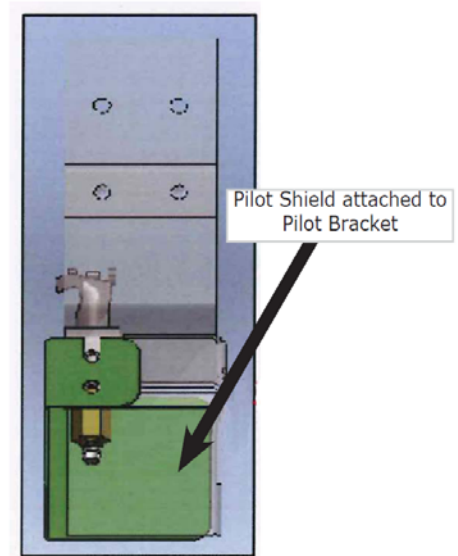
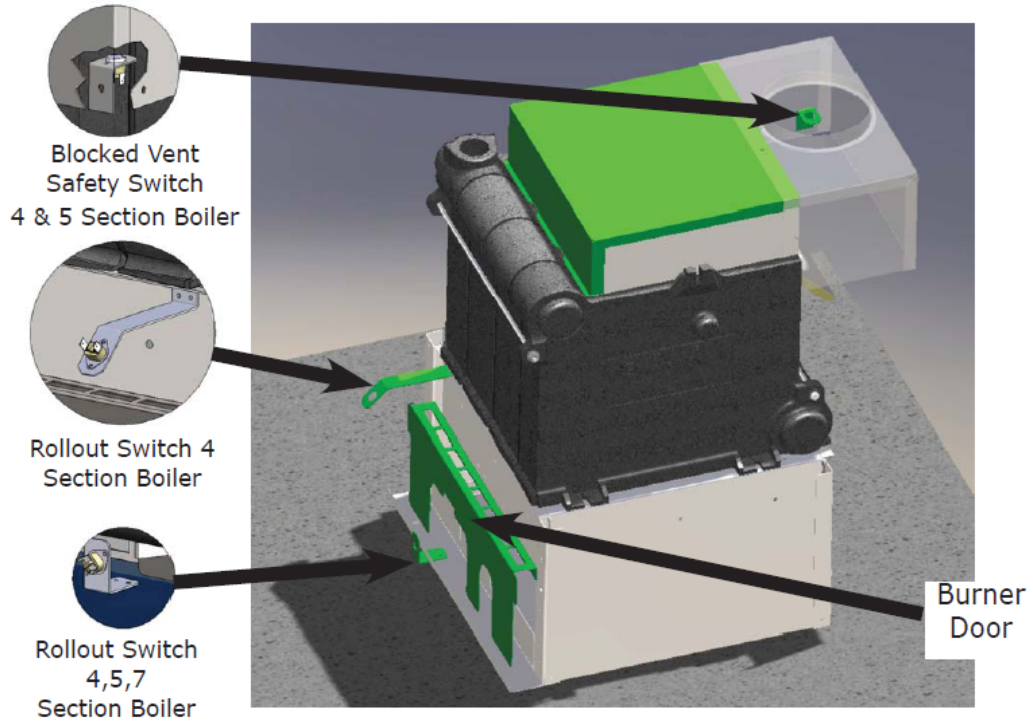


Figure 5 - Heat Exchanger





15B Heat Exchanger Revision
BULLETIN NO. P- 8.25.2011



Replacement Heat Exchangers On Older Products

The new heat exchanger has been engineered to be replaceable into any of the older series 15B models with the following field update kits. These kits will be shipped with a replacement block when ordered as future replacements.

| Boiler Model | 15B-45 | 15B-70 | 15B-96 | 15B-120 15B-145 | 15B-175 15B-195 | 15B-245 | 15B-295 |
|--------------------|-----------|-----------|-----------|--------------------|--------------------|-----------|-----------|
| Sections | 2 | 3 | 3 | 4 | 5 | 6 | 7 |
| Replacement Number | 912000001 | 912000002 | 550002353 | 550002354 | 550002355 | 550002356 | 550002357 |

If you should have any questions at all on these changes to the product or on a replacement block assembly, please feel free to contact the ECR Technical Service Department at 1.800.325.5479 Extension # 7022.