

HEAT EXCHANGER RETROFIT KIT INSTRUCTIONS

Kit #'s 550002353, 550002354,
550002355, 550002356, 550002357

Kit installation shall be completed by qualified agency.

WARNING

Fire, explosion, asphyxiation and electrical shock hazard. Improper installation could result in death or serious injury. Read this instruction and understand all requirements, including requirements of authority having jurisdiction, before beginning installation. Installation not complete until appliance operation verified per Installation, Operation & Maintenance Manual provided with boiler.

Follow instructions TO TURN OFF GAS TO APPLIANCE found on Operating Instructions label on boiler or in Installation, Operation & Maintenance Manual. Verify all electrical power to boiler is turned off.

WARNING

Electrical shock hazard. Turn OFF electrical power supply at service panel.

WARNING

Explosion hazard. Lockout/tagout gas supply at gas meter or other location external to boiler.

WARNING

Burn hazard. Verify heat exchanger has cooled or use appropriate personal protection equipment before removing heat exchanger.

Original heat exchanger for boiler is no longer available, it is replaced by a new block ("A"). Install parts listed to maintain boiler operation.

2 and some 3 section models do not require use of replacement parts. See table 1.

- Attach included label to side of boiler near nameplate for future reference.
- New Label is provided to indicate heat exchanger model change to "A".
- Bracket is provided to mount rollout switch and spill switch in new location on models indicated in Table 1 only.
- Spark pilot wire shield applies to intermittent spark units using "A" series block only.

Table 1 - Changes to UH15B, 15B

Input (Mbh)	45	70	96	120	145	175	195	245	295
Sections	2	3	4	4	5	5	6	6	7
Label			✓	✓	✓	✓	✓	✓	✓
Replace Flue Collector			✓						✓
Replace Base & Rollout Switch Bracket				✓	✓				
Replace Rollout Switch Bracket On Base Panel						✓	✓	✓	✓
Draft Hood w/ New Blocked Vent Safety Switch Bracket				✓	✓	✓	✓		
Replace Burner Door, Lower Access Panel Door, & Spark Pilot Shield				✓	✓	✓	✓	✓	✓

HEAT EXCHANGER REPLACEMENT KIT INSTRUCTIONS

⚠ WARNING

Asphyxiation hazard. Replace burner door with replacement heat exchanger where provided. Discard original burner door. Failure to follow these instructions could result in death or serious injury.

1. Replace Burner Door.
 - Replacement Burner Door is required on sizes indicated in Table 1.
 - Replacement Base (included) is required on 4 section unit.
 - Discard original burner door to prevent reuse.
2. Relocated Flame Rollout Switch requires relocation with burner door replacement, reducing potential for nuisance shut downs.
 - Label all wires for reference before disassembly.

Figure 1 - Replacement Burner Door with Tabs

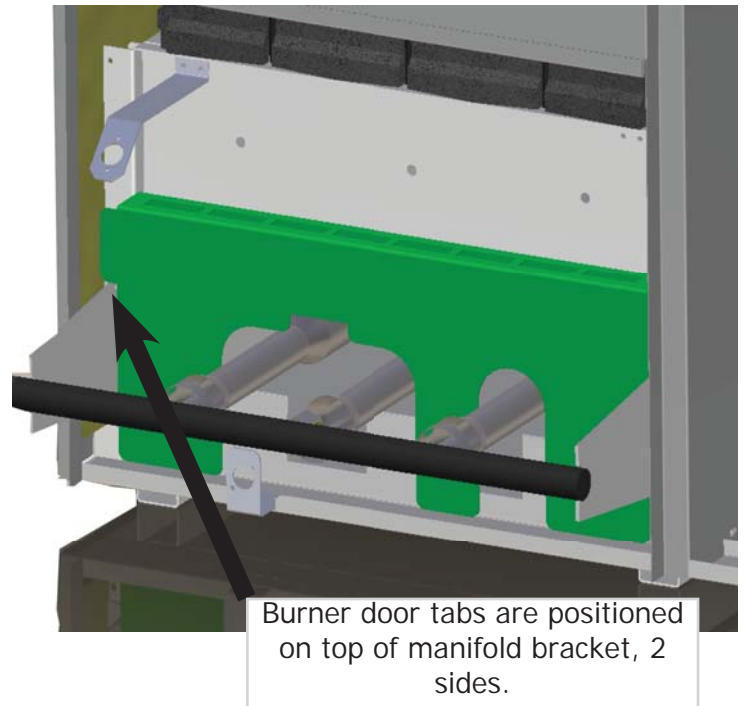
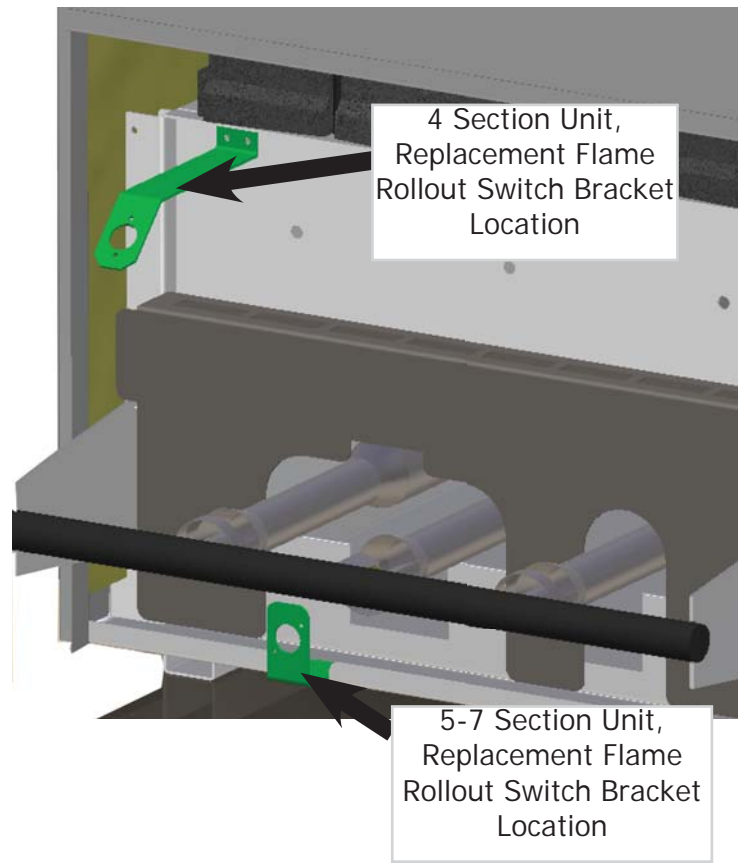
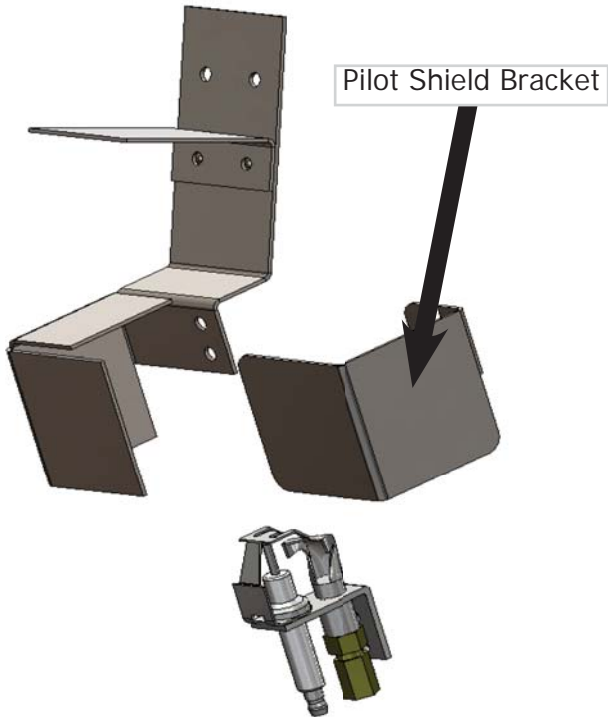


Figure 2 - Replacement Flame Rollout Switch Bracket



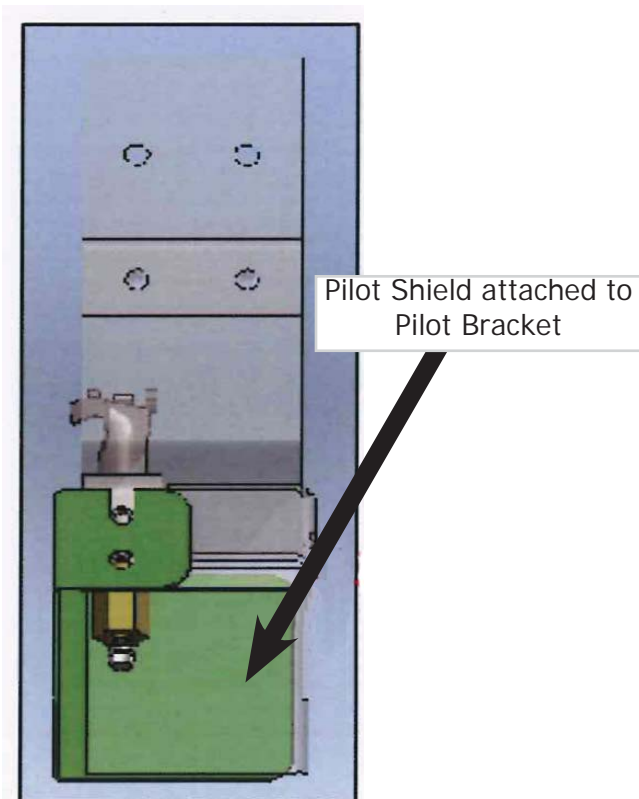
HEAT EXCHANGER REPLACEMENT KIT INSTRUCTIONS

Figure 3 - Pilot Shield Bracket



3. Pilot Shielding Bracket on Spark Ignition Models Is Modified with Addition of Temperature Shield. Applies to 4-7 section models.
 - Attach temperature shield to pilot bracket use same screws used to attach spark igniter. See Figure 4.

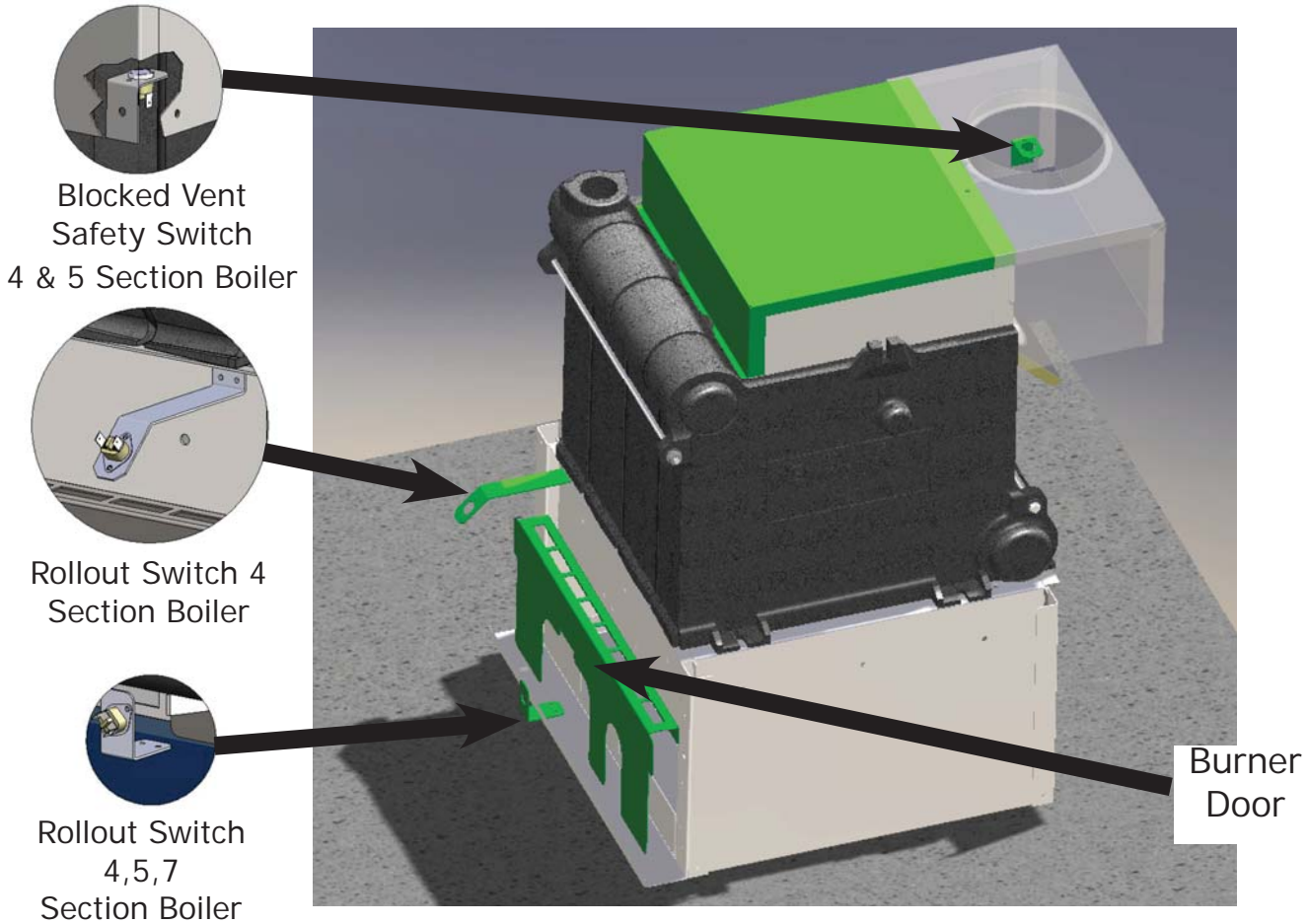
Figure 4 - Pilot Shield Location



HEAT EXCHANGER REPLACEMENT KIT INSTRUCTIONS

4. Reorientation of Blocked Vent Safety Switch (6 Section Boiler only). See Figure 5.

Figure 5 - Heat Exchanger



HEAT EXCHANGER REPLACEMENT KITS - PARTS LISTING

Sections	3	4	5	6	7
Input (MbH)	96 - only	120-145	175-195	245	295
Kit #	550002353	550002354	550002355	550002356	550002357
Heat Exchanger Block	YES	YES	YES	YES	YES
Base Assembly	-	3001823	-	-	-
Flue Collector	109008571	-	-	-	109008573
Screws 5/16x1-1/4	YES (2)	YES (4)	-	-	YES (2)
Rollout Switch Bracket (on base panel)	-	-	3001904	3001905	3001906
Rollout Switch Bracket	-	109008517	-	-	-
Screws 1/4-20 x 1/2 Self Tap	-	YES (2)	YES (2)	YES (2)	YES(2)
Pilot Shield (Spark units only)	-	YES	YES	YES	YES
Screws Slotted 8-18 x 1/2	-	YES (2)	YES (2)	YES (2)	YES (2)
Burner Door	-	109008519	109008520	109008521	109008522
Label	YES	YES	YES	YES	YES
Instructions	240009118	240009118	240009118	240009118	240009118

NOTE: Items denoted as "YES" are not sold separately.