

PENNCO 
SILVER
CAST IRON BOILERS

15B Series II
Gas-Fired Hot Water Boiler



Standard Equipment:

- Boiler Jacket
- Cast-Iron Boiler Battery
- High Limit Control
- Vent Damper Relay
- Circulator
- Main Gas Burners
- Combination Gas Control
includes:
 - Automatic Gas Valve
 - Gas Pressure Regulator
 - Intermittent Pilot
 - Safety Shut Off
 - Pilot Flow Adjustment
 - Pilot Filter
- A.S.M.E. Relief Valve
- Drain Valve
- Spill Switch
- Rollout Switch
- Automatic Vent Damper

Optional:

- Propane option available

The Pennco 15B Series II now features an integrated Hi-Limit Control, Vent Damper Control and Intermittent Spark Control housed under a protective cover.

Quality Heat Exchanger Design – The 15B Series II features a robust cast iron heat exchanger for longer boiler life. The sections are connected with cast iron push nipples, which expand and contract at the same rate as the sections ensuring a water tight seal. Available in a full range of sizes from 45 MBH up to 295 MBH Input capacity.

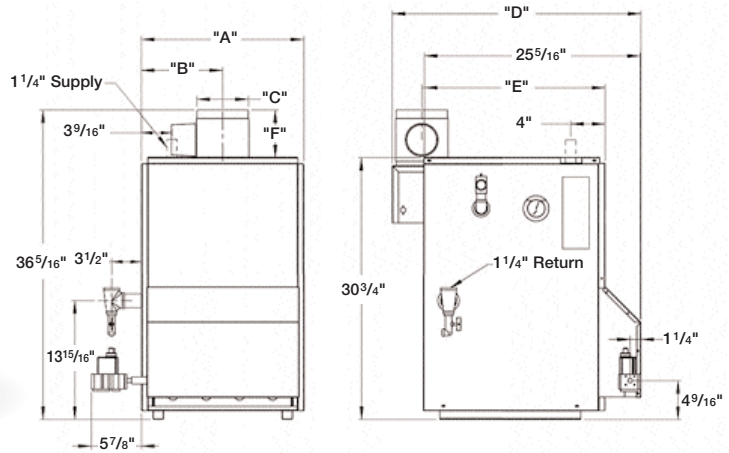
Efficiency – The 15B Series II provides an annual fuel utilization efficiency of 82% as certified by the US Department of Energy testing standards.

Easy Installation and Maintenance – A compact design, low profile draft hood and top supply piping connections allow for easier installation. The pilot is mounted to the front of the burner base.

Pennco SILVER makes Simple Comfort, Affordable.

15B Series II

Gas-Fired Hot Water Boiler



Specifications:

Boiler Number	Input Mbh (1)	Heating Capacity Mbh (1)	Net AHRI Rating Water Mbh (2)**	Natural Gas Inlet	Dimensions (Inches)						Pump Size Supply & Return Tappings	Number of Burners	AFUE Elec. Ign. & Damper
					A	B	C	D	E	F			
15B045FE	45	37	32	1/2"	11 1/4	5 5/8	4	27 1/8	20 7/16	4 15/16	1 1/4"	1	82.0%
15B070FE	70	57	50	1/2"	15 1/8	7	5	28 1/8	20 15/16	4 15/16	1 1/4"	2	82.0%
15B096FE	96	79	69	1/2"	15 1/8	7	5	28 1/8	20 15/16	4 15/16	1 1/4"	2	82.0%
15B120FE	120	98	85	1/2"	19	9 1/2	6	29 1/8	21 7/16	5 7/16	1 1/4"	3	82.0%
15B145FE	145	119	103	1/2"	19	9 1/2	6	29 1/8	21 7/16	5 7/16	1 1/4"	3	82.0%
15B170FE	170	140	122	1/2"	22 7/8	11 3/16	7	30 1/8	21 15/16	5 15/16	1 1/4"	4	82.0%
15B195FE	195	160	139	1/2"	22 7/8	11 3/16	7	30 1/8	21 15/16	5 15/16	1 1/4"	4	82.0%
15B245FE	245	201	174	3/4"	26 3/4	13 6/16	8	31 1/8	22 7/16	6 15/16	1 1/4"	5	82.0%
15B295FE	295	242	210	3/4"	30 5/8	15 5/16	9	32 1/8	22 15/16	8 15/16	1 1/4"	6	82.0%

- All boilers are design certified for installation on noncombustible floor.
 - Recommended chimney height 20 feet. In special cases where conditions permit, chimney height may be reduced to 10 feet. Refer to the latest revision of NFPA part 11.
 - Electric service to be 120 Volts, 15 Amps, 60 Hz.
 - The MEA number for this boiler is 19-79-E.
- (1) Input rating for sea level to 2,000 ft. (610m) above sea level. United States, over 2000 ft (610m) above sea level. Reduce input rate 4% for every 1,000 ft (304m) above sea level.
 - (2) Net AHRI Water Ratings shown based on piping and pickup allowance of 1.15. Consult manufacturer before selecting boiler for installations having unusual piping and pickup requirements, such as intermittent system operation, extensive piping systems, etc. For forced hot water systems where boiler and all piping within area to be heated, boiler may be selected on basis of its heating capacity.



PENNCO



2201 Dwyer Avenue, Utica, New York 13501
 Phone: 315-797-1310 • Fax: 866-432-7329
 E-mail: info@ecrinternational.com
 Web: www.pennco boilers.com

USA Contractor Assistance:
800-325-5479