



**Model No.**

- 3K0.60
- 3K0.75
- 3K1.00
- 4K.90
- 4K1.25
- 4K1.50
- 5K1.20
- 5K1.75
- 5K2.00

**KEYSTONE SERIES II  
OIL-FIRED  
CAST IRON HOT  
WATER BOILER**

**Repair Parts,  
Optional Kits**

Ordering Instructions

Order Parts through your nearest supplier.  
When ordering parts, obtain Model Number and  
Serial Number from data plate on your boiler.  
Include following information when ordering.

Part Number \_\_\_\_\_  
Part Description \_\_\_\_\_  
Boiler Model Number \_\_\_\_\_  
Boiler Serial Number \_\_\_\_\_

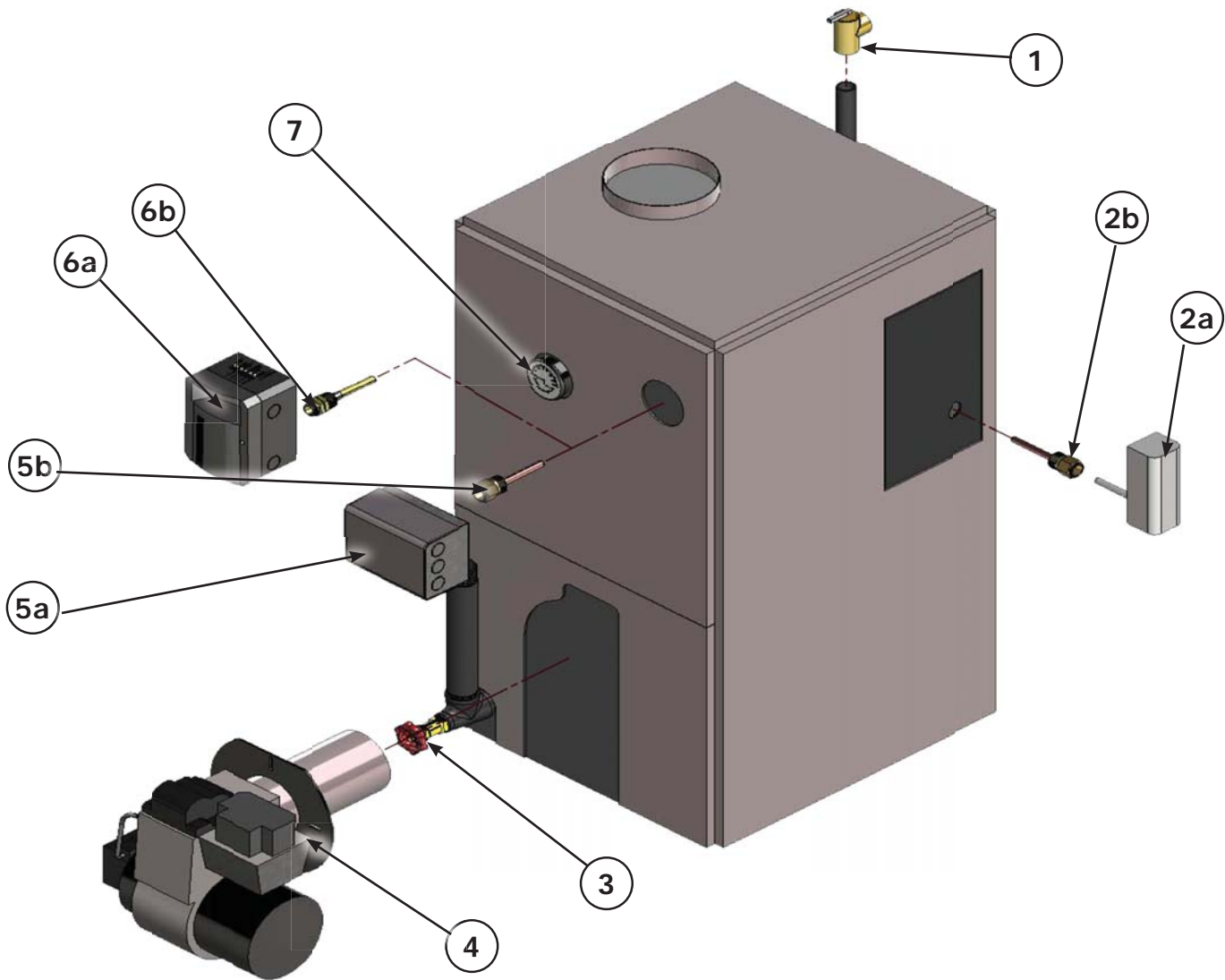


An ISO 9001-2008 Certified Company

Manufactured by:  
**ECR International, Inc.**  
2201 Dwyer Avenue, Utica NY 13501  
web site: [www.ecrinternational.com](http://www.ecrinternational.com)

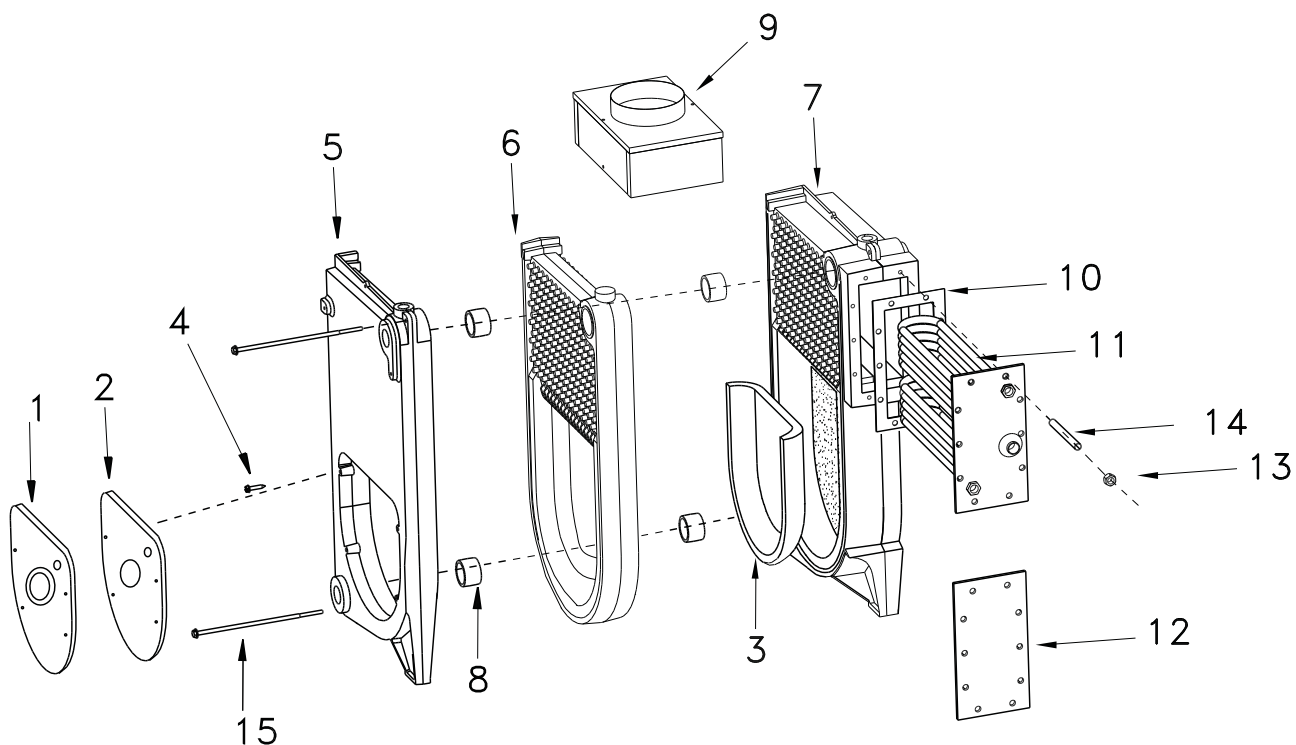
P/N# 240009462, Rev. A [4/2012]

CONTROLS AND PIPING



	Description	Models		
		3K	4K	5K
1	Safety Relief Valve, Conbraco 10-408-05		14622011 (1)	
2a	Low Limit, Honeywell L4006A		AQ-008.00 (1)	
2b	Well, Honeywell 123870A		1635001 (1)	
3	Drain Valve		240009323 (1)	
4	Oil Burner, Beckett AFG	240009456	240009457	240009458
5a	Limit, Honeywell L7248L		240009128 (1)	
5b	Well, Honeywell 123870A		1635001 (1)	
5c †	Sensor, Honeywell 50001464-001		240007686 (1)	
6a	Limit, Hydrolevel 3250		240009114 (1)	
6b	Well, Hydrolevel 48-201		240007709 (1)	
7	Temperature/Pressure Gauge		1260006 (1)	
†	Circulator - Grundfos UP15		CI-006.01 (1)	
†	Circulator - Taco 007		CI-001.03 (1)	
† = not shown				

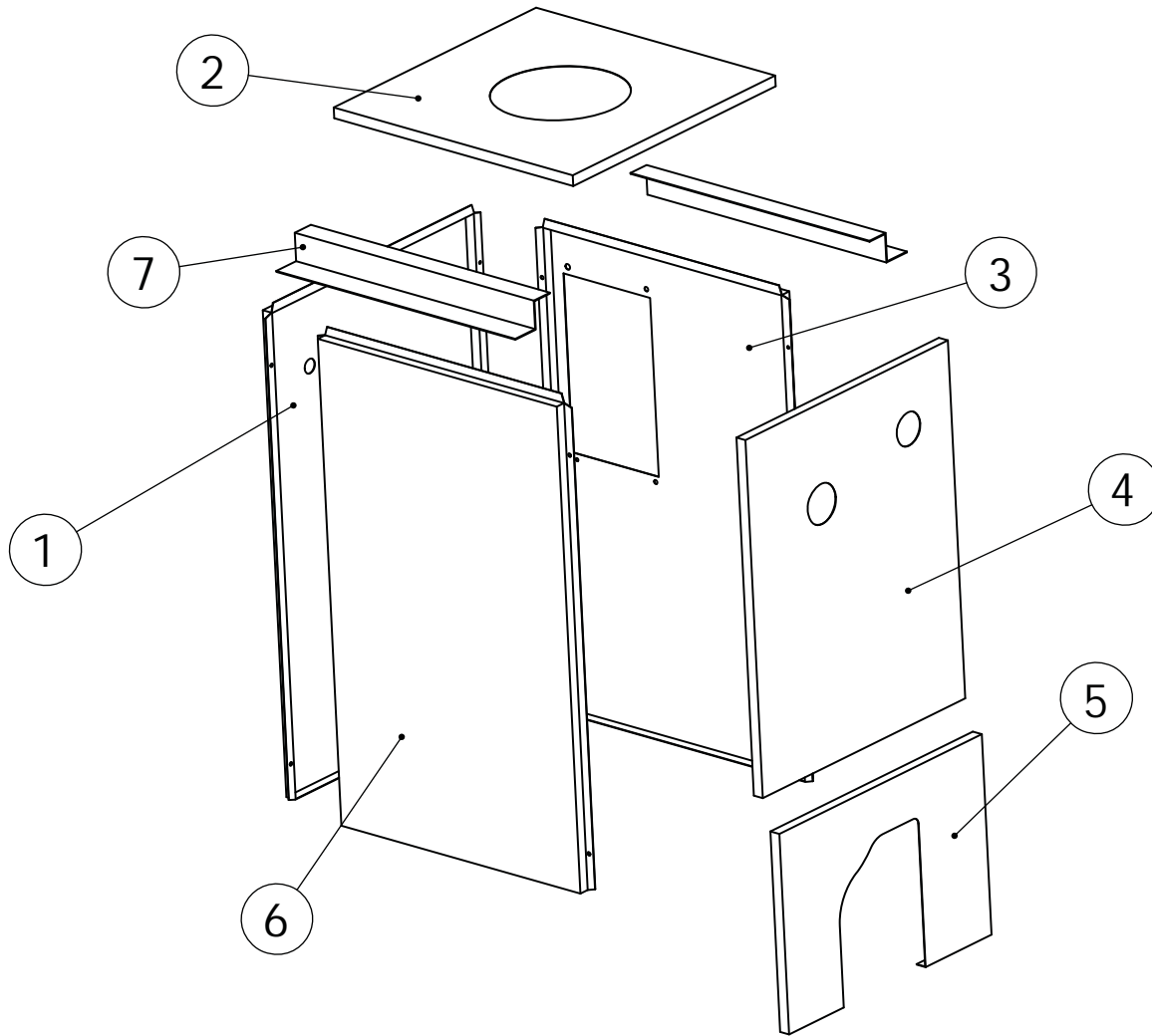
HEAT EXCHANGER



ITEM	DESCRIPTION	MODELS		
		3K	4K	5K
1	Burner Mounting Plate		40300004 (1)	
2	Burner Mounting Plate Insulation		14614015 (1)	
3	Target Wall		14619003 (1)	
4	5/16" - 18 x 2 1/4" Stud (4 required)		14695043 (4)	
5	Front Section		40300015 (1)	
6	Middle Section	40300007 (1)	40300007 (2)	40300007 (3)
7	Back Section		40300008 (1)	
8	Cast Iron Machined 2" Nipple*	43300976 (4)	43300976 (6)	43300976 (8)
9	Flue Collector - Complete	42500276 (1)	42500277 (1)	42500278 (21)
10	Tankless Heater Coil/Cover Plate Gasket		240007071 (1)	
11	Tankless Heater		14627020 (1)	
12	Tankless Heater Cover Plate		43300256 (1)	
13	Nut, 3/8-16 Hex		1330008 (10)	
14	Stud 3/8" - 16 x 1 1/2"***		14695113 (10)	
15	1/4" Tie Rods	14605002 (2)	14605051 (2)	14605053 (2)
15a	Nut, 1/4-20 Hex		HW-003.02 (2)	

\*Four are required for first middle replacement section and two for each additional section

JACKETS



Item	Description	Models		
		3K	4K	5K
1	Back Panel	42500271AD (1)		
2	Top Panel	42500251AD (1)	42500252AD (1)	42500253AD (1)
3	Right Panel	42500241AD (1)	42500242AD (1)	42500243AD (1)
4	Upper Front Panel	42500270AD (1)		
5	Lower Front Panel	42500272AD (1)		
6	Left Panel	42500261AD (1)	42500262AD (1)	42500263AD (1)
7	Z Bars	42500273 (2)		
<b>Complete Jacket</b>		<b>42500286AD</b>	<b>42500287AD</b>	<b>42500288AD</b>