

PENNGO



Cast Iron Boilers



KEYSTONE STEAM II Oil Fired Steam Boilers

The Keystone Steam II packaged oil-fired steam boiler delivers high efficiency, reliability and ease of maintenance for homes requiring oil-fired heat. A smart design combined with quality components result in lower operating costs, making the Keystone Steam II an ideal replacement choice.

SYSTEM FEATURES

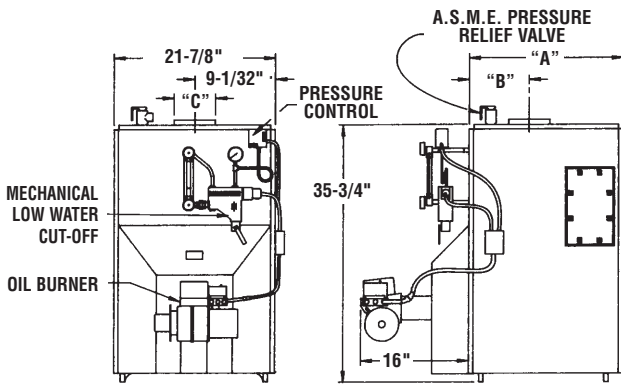
- **Heating Efficiency Ratings** – With efficiencies up to 84% AFUE, the Keystone Steam II provides increased energy savings resulting in lower fuel bills. The boiler's wet-based design helps overall efficiency by enclosing the combustion chamber with water on five sides therefore maximizing heat transfer. With the potential savings this represents, the Keystone Steam II can pay for itself in a few short years.
- **Cast-Iron Sections & Push Nipples** – The Keystone Steam II utilizes cast-iron construction because of its durability and efficient heat transfer capabilities. Cast iron sections and push nipples are utilized to construct the heat exchanger. Using only the highest quality cast-iron and heat transfer designs, the Keystone Steam II is capable of providing many years of efficient and trouble-free operation.
- **Easy Access & Maintenance** – A sturdy cast-iron swing door allows for quick and easy inspection of the oil burner and combustion area while extra large flue ways allow for easy cleaning and set-ups. These flue way openings are easily accessed through an integrated two-part draft hood. All components are easy to reach, significantly reducing the time spent on regular maintenance and service calls.



KEYSTONE STEAM II OIL-FIRED STEAM BOILERS

Ratings and Data

BOILER MODEL NUMBER ¹	I = B = R OIL BURNER INPUT ²		D.O.E. HEATING CAPACITY MBH ⁴	I = B = R NET RATINGS ^{3,4}		PUMP PRESS. PSI	NOZZLE FURNISHED 140 PSIG ⁵	A.F.U.E. RATING
	G.P.H.	MBH ⁴		STEAM MBH	SQ. FT. STEAM			
KSB0365	0.65	91	78	59	246	140	.60 80°B	84.00
KSB3100	1.00	140	116	87	363	140	.85 80°B	81.50
KSB4125	1.25	175	145	109	454	140	1.10 80°B	82.50
KSB4150	1.50	210	170	128	533	140	1.25 80°B	81.00
KSB5175	1.75	245	202	152	633	140	1.50 80°B H	83.00
KSB5200	2.00	280	227	170	708	140	1.75 70°B H	82.00
KSB6225	2.25	315	251	188	783	140	2.00 45°B	—
KSB7275	2.75	385	307	230	958	140	2.25 45°B	—



EXPLANATION NOTES:

1. Add suffix "T" to denote boiler with tankless heater.
2. I=B=R burner capacity is based on an oil heating value of 140,000 Btu/gal. and with 13% CO₂.
3. Net ratings based on 170°F temperature in radiators and include 33% allowance for normal piping and pick-up load. Consult manufacturer for unusual piping and pick-up requirements.
4. For altitudes above 2,000 ft., ratings may be reduced at the rate of 4% for every 1,000 ft. above sea level.
5. Nozzle sizes with an H designation are Hago brand, all others are Delevan.
6. The electrical service is 120 Volts, 15 Amps, 60 Hz.
7. The MEA number for the Keystone Steam II is 182-86E.



85 Middle Rd., Dunkirk, NY 14048 • Phone: (716) 366-5500
 Fax: (716) 366-1209 • E-mail: info@ecrinternational.com

An **ECR** International Brand

An ISO 9001-2000 Certified Company



Tested for 15 lbs. ASME Working Pressure

Dimensions

BOILER MODEL NO.	A LENGTH OF FLUSH JACKET	B FRONT OF JACKET TO C/L OF FLUE OUTLET	C DIAMETER OF FLUE OUTLET
KSB-3S	16 ^{3/4}	6 ^{1/2}	6
KSB-4S	20 ^{1/4}	8 ^{1/2}	6
KSB-5S	23 ^{3/4}	10 ^{1/4}	7
KSB-6S	27 ^{1/2}	8 ^{5/16}	8
KSB-7S	31 ^{1/4}	8 ^{5/16}	8

Tankless Water Heater Capacities

BOILER MODEL NUMBER	TANKLESS HEATER NUMBER	TANKLESS HEATER CAPACITY INTERMITTENT DRAW G.P.M.	BOILER WATER CONTENT GALS.
KSB0365	L-24	Available on Request	11
KSB3100	L-24	4.5	11
KSB4125	L-24	4.5	13
KSB4150	L-24	4.5	13
KSB5175	L-24	5.0	15
KSB5200	L-24	5.0	15
KSB6225	L-24	5.0	17
KSB7275	L-24	5.0	19

KSB Standard Equipment

- Crated Cast-Iron Boiler
- Flush Jacket
- Swing-Out Burner Door
- Clean Cut Beckett Burner
- Target Wall/Liner
- ASME Relief Valve
- Water Level Gauge
- Steam Pressure Gauge
- Steam Pressure Control
- Mechanical Low Water Cut-Off
- Drain Valve
- Wiring Harness
- Burner Electric Disconnect
- Plastic Cover
- Supply Tappings (Qty. 2 - 2")
- Return Tapping - 1-1/2"
- Skim Port
- For Tankless Heater Units:
Add Tankless Hot Water Coil and Limit Control